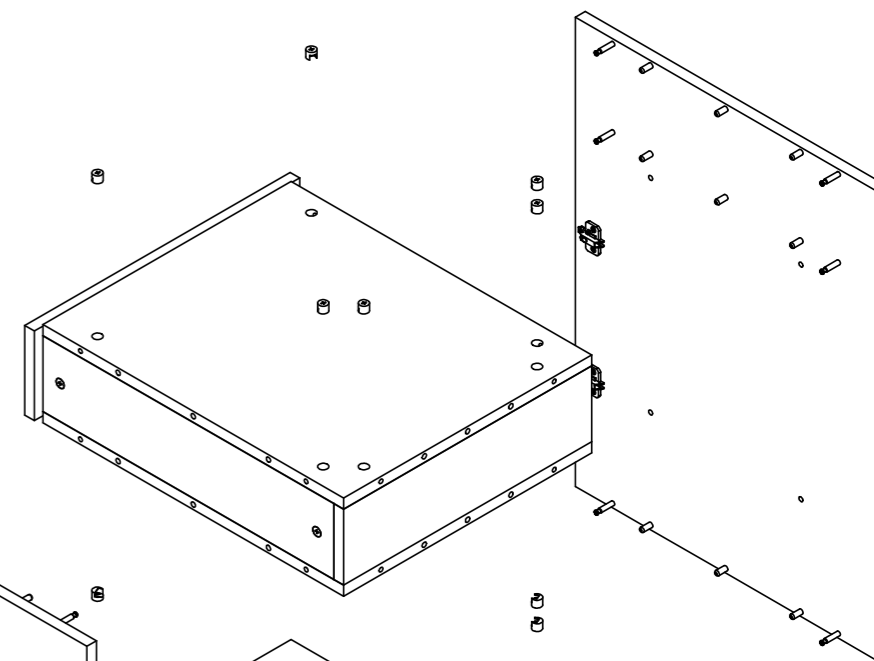
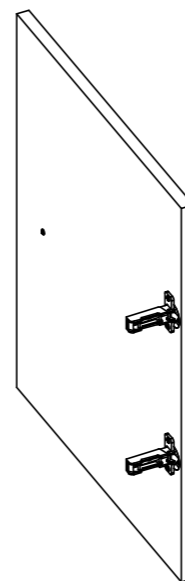
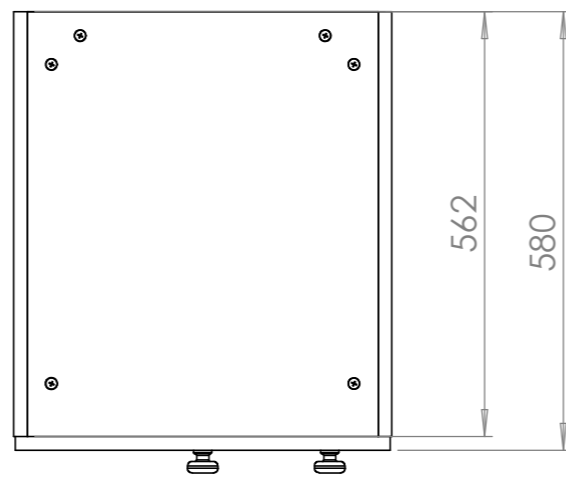
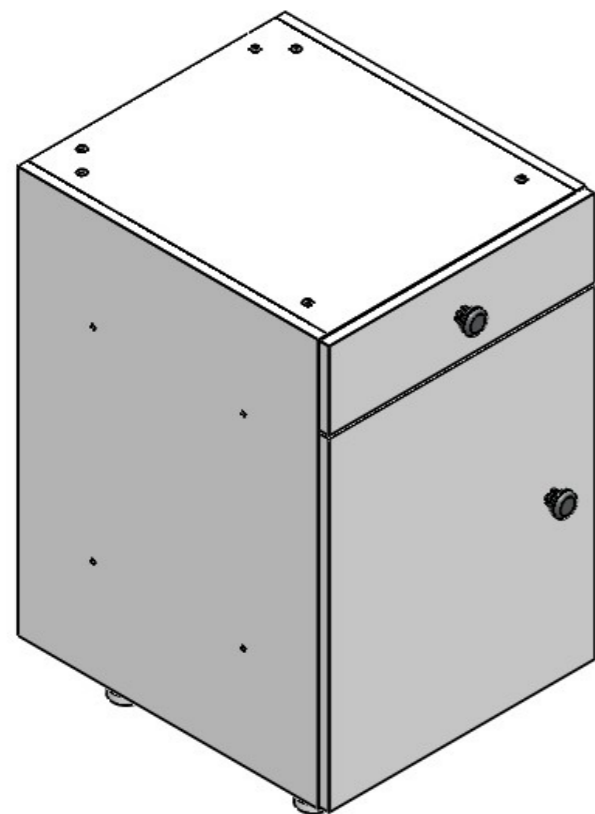
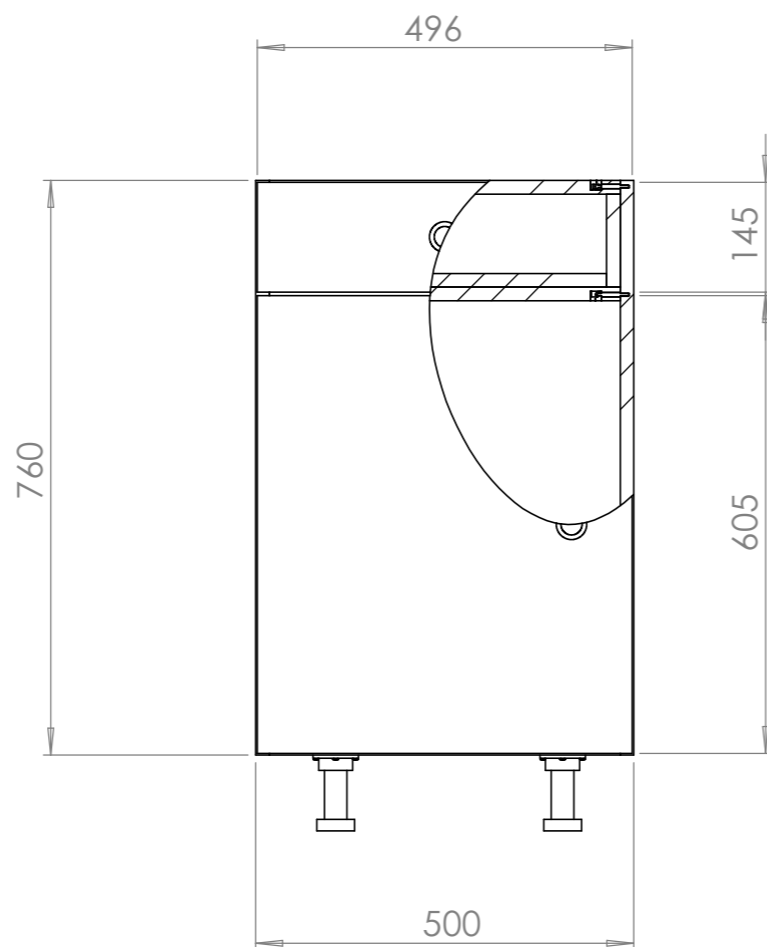


8 7 6 5 4 3 2 1

F  
E  
D  
C  
B  
A



F  
E  
D  
C  
B  
A



UNLESS OTHERWISE SPECIFIED: DIMENSIONS ARE IN MILLIMETERS SURFACE FINISH: TOLERANCES: LINEAR: ANGULAR:				FINISH:		DEBURR AND BREAK SHARP EDGES		DO NOT SCALE DRAWING		REVISION	
DRAWN				NAME		SIGNATURE		DATE		TITLE:	
CHK'D											
APPV'D											
MFG											
Q.A								MATERIAL:		DWG NO.	
								WEIGHT:		Drawer Cabinet A3	
								SCALE:1:10		SHEET 1 OF 1	

8 7 6 5 4 3 2 1